



Spring System Specification Worksheet

Please return the following information to M-3 & Associates

Email: cs@m3assoc.com

Fax: 574-295-7588

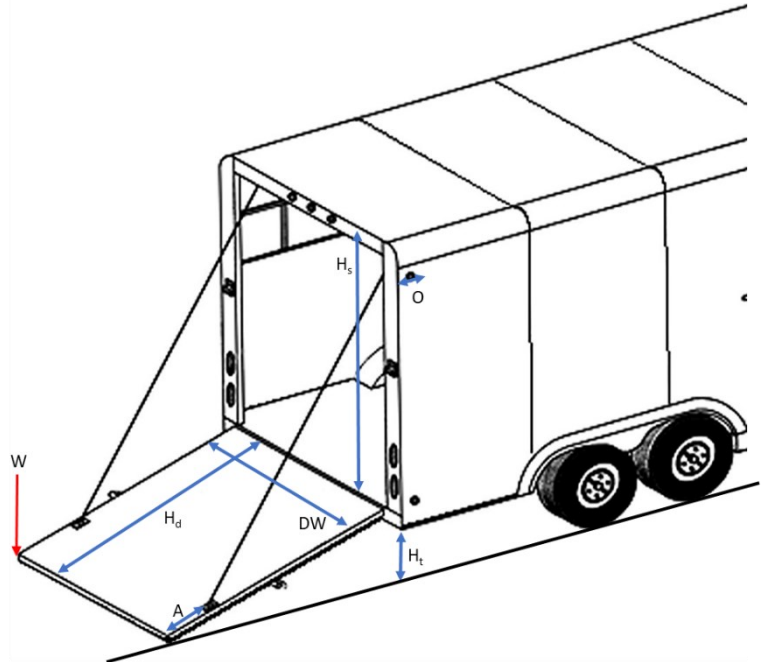
Customer Contact Information:

Company: _____

Contact: _____

Phone #: _____

Email: _____



Per the drawing, please provide the following dimensions:

Label	Dim	Value	Description
W	lbs		Hinged weight of the door, as measured with the door resting on a scale on the ground
H _d	in		Height of the door from the hinge to the top of the door
H _t	In		Height of the trailer from the ground to the door hinge
H _s	In		Height for the hinge to the center of spring system tube
O	In		Offset from the outside of the rear trailer frame, inside to the center of the spring system tube (measure only if spring mounting bracket is custom)
DW	in		Door width
A	In		Distance from the end of the door to the cable attachment point

Note: There will need to be at least 5" in the header area of the trailer to mount the system.

If welding the brackets to the trailer header please note if you need:

Steel

Aluminum

Contact us to turn your metal fabrication needs into solutions. For more information, call us today at 574-294-3988 or email us at sales@m3assoc.com.

This template is the property of M-3 & Associates, Inc. and contains confidential and proprietary information. Unless you are the addressee, the information contained in this document may not be reviewed, copied, printed, disseminated, or disclosed to anyone outside of your organization in any way. If you have received this document and you are not the addressee, please notify M-3 & Associates immediately.