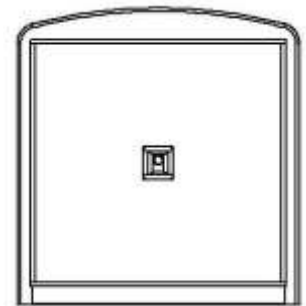
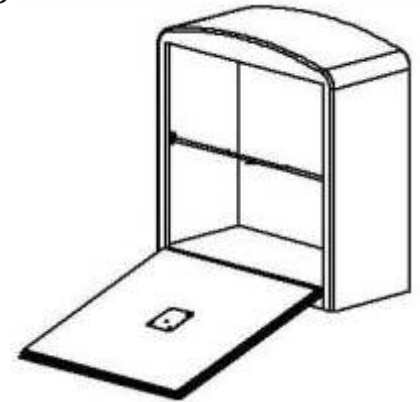


Secure It With M-3

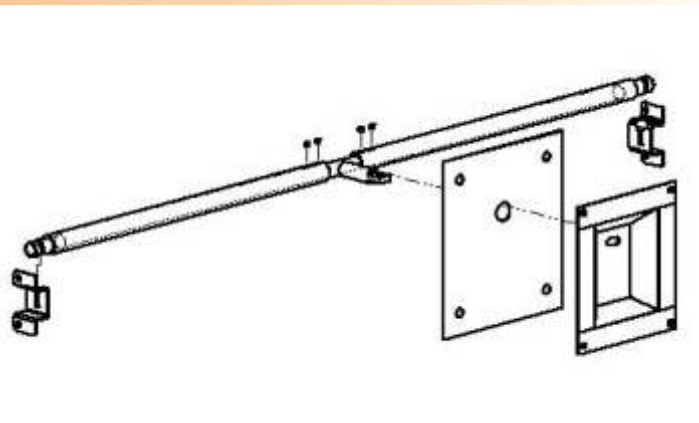
New! SecurityPlus™ Internal Locking Mechanism

To be used in addition to your barlocks to keep your valuables secure.



Patents Pending

Framed into ramp doors by OEM's. Universal width locking mechanism that has adjustable up and down movement to align lock tab with the lock box. Heavy duty construction with 1" inch solid rod, 11 gauge DOM tube, and "Hockey Puck" lock with keys eliminate common entry points used by thieves or vandals.



M-3

© 2005 All rights reserved. M-3 & Associates, Inc.

& Associates, Inc.

28244 Clay Street
Elkhart, IN 46517
574/294-3988 * Fax: 574/295-7588
888/611-1041 * www.m3assoc.com

E-mail: sales@m3assoc.com